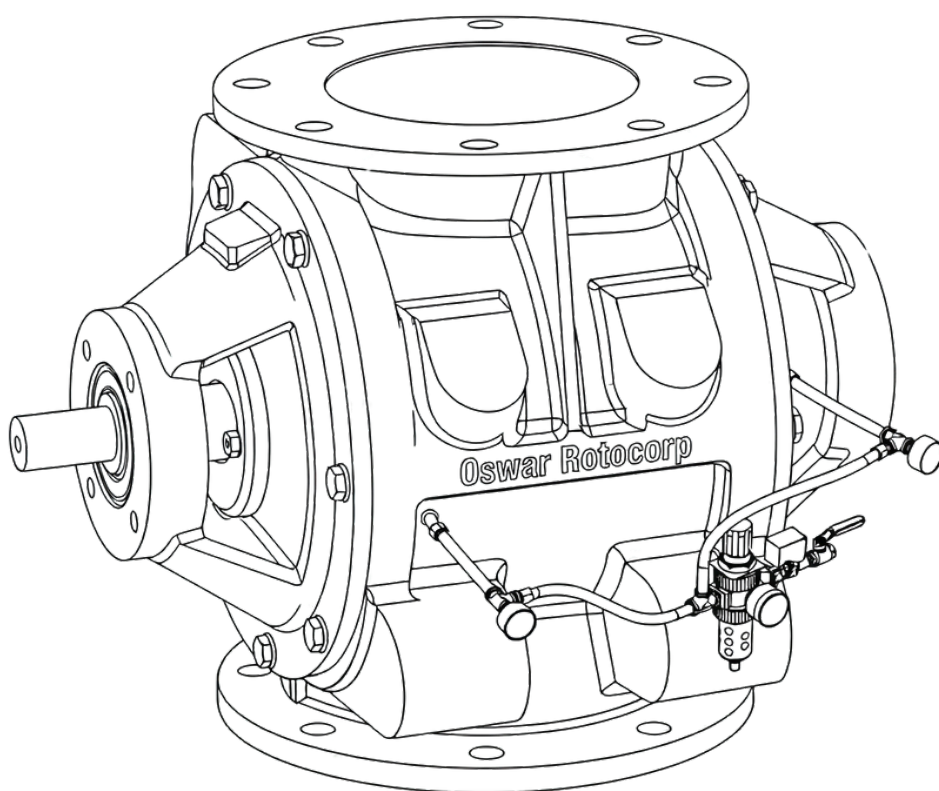
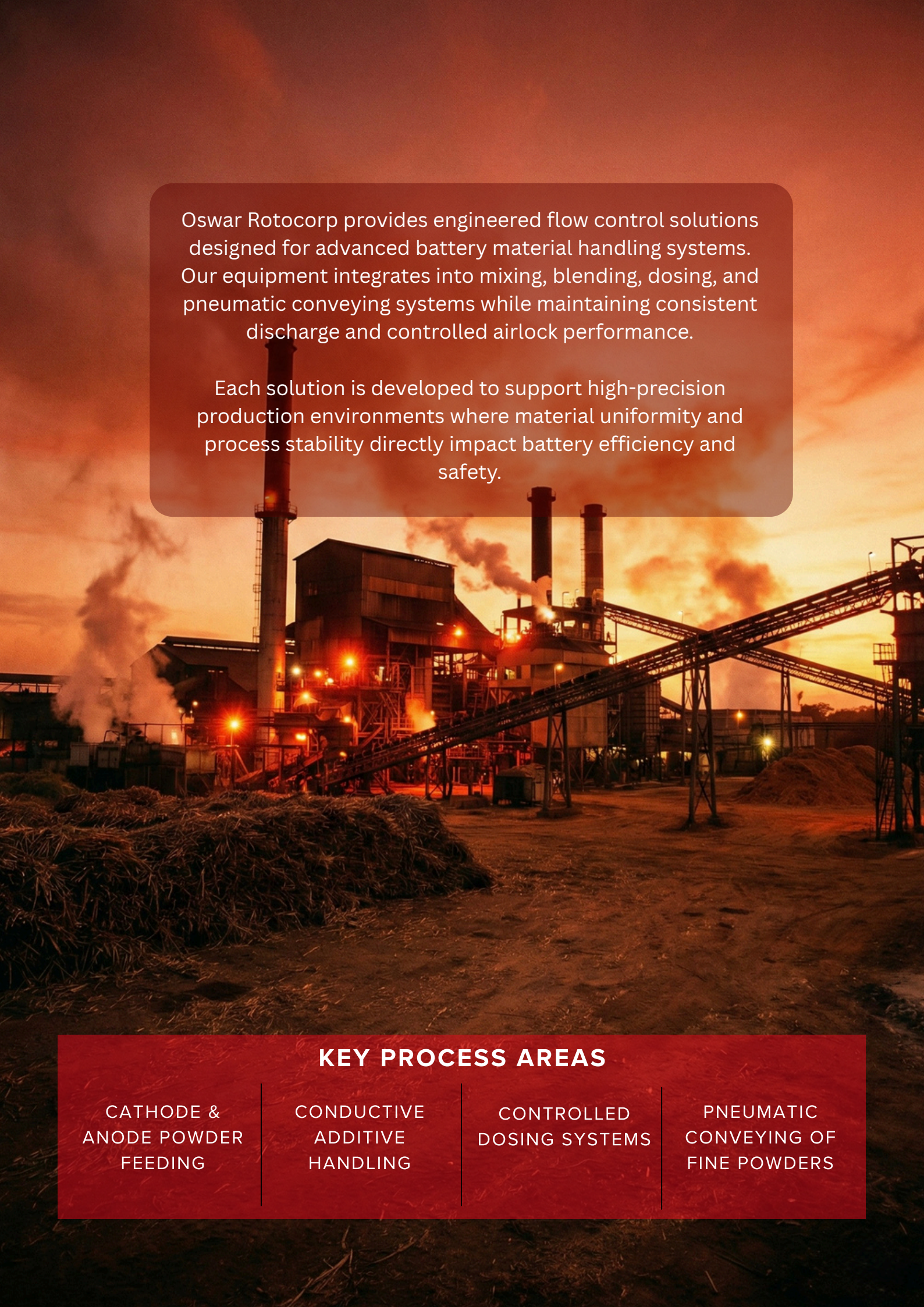


EV BATTERY INDUSTRY

ADVANCED ENERGY STORAGE MANUFACTURING



OSWAR
rotocorp

A photograph of an industrial facility, likely a battery manufacturing plant, at sunset. The sky is a mix of orange, red, and yellow. In the foreground, there are large piles of raw materials, possibly cathode or anode powders. The background shows several tall smokestacks and a complex network of conveyor belts and structural steel. The scene is illuminated by the warm light of the setting sun and some artificial lights from the facility.

Oswar Rotocorp provides engineered flow control solutions designed for advanced battery material handling systems. Our equipment integrates into mixing, blending, dosing, and pneumatic conveying systems while maintaining consistent discharge and controlled airlock performance.

Each solution is developed to support high-precision production environments where material uniformity and process stability directly impact battery efficiency and safety.

KEY PROCESS AREAS

CATHODE &
ANODE POWDER
FEEDING

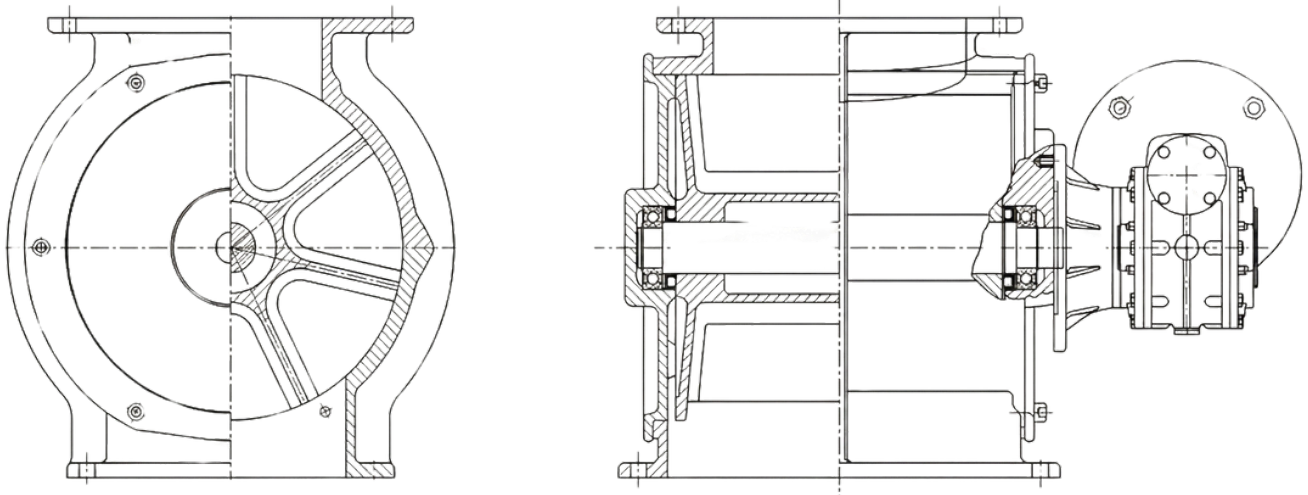
CONDUCTIVE
ADDITIVE
HANDLING

CONTROLLED
DOSING SYSTEMS

PNEUMATIC
CONVEYING OF
FINE POWDERS

BUILT FOR PRECISION, CONTAINMENT & CLEAN PRODUCTION

Battery manufacturing environments demand controlled clearances, sealed transfer systems, and minimal material loss. Fine powders used in battery production require stable volumetric feeding and efficient airlock integrity to prevent cross-contamination and emission risks. Rotary Valves are engineered with precision rotor geometry and optimized sealing systems to ensure accurate discharge and reduced leakage in pneumatic conveying applications. Reinforced housings and protected bearing assemblies enhance operational reliability in continuous production lines.



SOLUTION PORTFOLIO INCLUDES:

- Precision Rotary Valves for Fine Powder Feeding
- Pneumatic Pressure Rotary Valves
- Controlled Dosing Rotary Valves
- Slide Gate Valves for Process Isolation
- Diverter Valves for Multi-Line Routing

SUPPORTING ADVANCED ENERGY MANUFACTURING

- **Accurate & Repeatable Material Feeding**
- **Reduced Fine Powder Leakage**
- **Improved Airlock Efficiency**
- **Stable Operation in Continuous Production**
- **Enhanced Process Safety**
- **Extended Equipment Durability**



OSWAR

rotocorp

Corporate Office

Jaipur, Rajasthan India
Nagpur, Maharashtra India

Sales Inquiries

info@oswarrotocorp.com

Helpline

[+44 7917 128505](tel:+447917128505) | +91 77422 36474

Copyright © 2026 OSWAR ROTOCORP. All Rights Reserved. OSWAR® is a registered trademark of **OSWAR ROTOCORP**. This brochure makes no offers, representations or warranties (express or implied), and information and data contained in this brochure are for general reference only and may change at any time.